

712N-021217-R0

PARTS LIST

MODEL NO. 712N

CODE NO	PART NO	DESCRIPTION	SPECIFICATION	QTY	NOTE
1	181107A	Swivel Base		1	All thread
1	181107-2	Base		1	Semi thread
2	181108A	Acme Screw		1	
3	W002	Washer	1/2"x28xt2	1	
4	K003	Key	5x5x15L	1	
5	181606S	Wheel		1	
7	181266	Fixed Bolt		1	
8	W008	Washer	3/8"x25xt2	2	
9	181114	Vise Jaw Bracket(Front)		1	
10	HP021	Pin	⌀ 5x34L	1	Semi thread
11	181136A	Bracket		1	Semi thread
12	181604S	Acme Nut Assembly		1	Semi thread
17	S012	Hex. Head Screw	3/8"x1-1/2"L	1	
18	N001	Hex. Nut	1/2"	1	
19	W002	Washer	1/2"x28xt2	2	
20	S501	Carriage Screw	1/2"x2"L	1	
21	S003	Hex. Head Screw	1/2"x2"L	1	
22	181113-1	Vise Jaw Bracket(Rear)		1	
23	181121	Bushing		1	
24	181122-1	Support Rod		1	
25	S063	Screw	5/16"x3/4"L	1	
26	181123	Pivot Bracket		1	
27	181270	Washer		1	
28	S012	Hex. Head Screw	3/8"x1-1/2"L	2	
29	181133	Support Plate		1	
30	181134	Fixed Plate		1	
31	181117-1	Spring		1	
32	181118	Spring Adjusting Rod		1	
33	181115	Spring Handle Bracket		1	
34	S022	Hex. Head Screw	5/16"x3/4"L	1	
35	W016	Washer	5/16"x23xt2	2	
36	N005	Hex. Nut	3/8"	1	
37	W014	Washer	3/8"x23xt2	1	
38	181130	Thumb Screw		1	
39	S022	Hex. Head Screw	5/16"x3/4"L	1	
40	3021	Stock Stop Rod		1	
41	181125	Stop Block		1	
42	S019	Hex. Head Screw	5/16"x1-1/2"L	1	
43	N007	Hex. Nut	5/16"	1	
45	181112	Support Plate		1	Semi thread
45	181112A	Support Plate		1	All thread
46	S014	Hex. Head Screw	3/8"x1-3/4"L	1	
47	N005	Hex. Nut	3/8"	3	
48	S022	Hex. Head Screw	5/16"x3/4"L	2	
49	W017	Washer	5/16"x18xt1.5	2	
50	S014	Hex. Head Screw	3/8"x1-3/4"L	1	
51	N005	Hex. Nut	3/8"	1	
52	S022	Hex. Head Screw	5/16"x3/4"L	2	
53	W017	Washer	5/16"x18xt1.5	2	
55	181431	Rubber Plate		1	

PARTS LIST
MODEL NO. 712N

CODE NO	PART NO	DESCRIPTION	SPECIFICATION	QTY	NOTE
57	ET1401	Toggle Switch Assembly		1	
59	S805	Screw	3/16"x3/8"L	4	
61	ET1617	Switch		1	For CE Only
62	S708	Cross Round Head Screw	3/16"x3/8"L	2	
63	181989	Switch Bracket		1	For CE Only
64	S708	Cross Round Head Screw	3/16"x3/8"L	2	
65	191106A	Filter		1	
66	3076	Switch Cut Off Tip		1	
67	S013	Hex. Head Screw	3/8"x1-1/4"L	1	
68	W017	Washer	5/16"x18xt1.5	7	
69	N005	Hex. Nut	3/8"	7	
70	3131B	Switch Cover		2	
71	181932	Toggel Switch Cover		2	
72	S017	Hex. Head Screw	5/16"x1"L	7	
75	S708	Cross Round Head Screw	3/16"x3/8"L	4	
77	18110	Stand Complete Assembly		1	
78	181854	Hose	5/8"x200mm	1	
82	181256	Coolant Tank		1	
84		pump		1	
85	S701	Cross Round Head Screw	1/4"x1/2"L	4	
86	W004	Washer	1/4"x19xt1.5	5	
88	181852	Coupler	3/8"PTx5/16"	1	
89	181601	Hose Clip	5/8"	2	
90	181981	Hose	OD12xID8x2000	1	
91	181980	Fitting		1	
94	181128	Wheel Rod		1	
95	181129	Wheel		2	
96	HP210	Cotter Pin	ϕ 3x25L	2	
97	181304-2	Cylinder Complete Set	RF-712N	1	
99	W017	Washer	5/16"x18xt1.5	3	
100	S017	Hex. Head Screw	5/16"x1"L	3	
101	S412	Hex. Socket Head Screw	3/8"x2-1/4"L	1	
102	W013	Washer	3/8"x20xt2	3	
115	S708	Cross Round Head Screw	3/16"x3/8"L	2	
130	181306	Bracket		1	For CE Only
130	181306A	Bracket		1	Optional - France Area
131	HS508	Cross Round Head Screw	M4x5L	4	For CE Only
132	181305	Switch Base		1	For CE Only
132	181305A	Switch base		1	Optional - France Area
133	HW003	Washer	M5	2	For CE Only
134	HW509	Cross Round Head Screw	M4x10L	2	For CE Only
135	W018	Washer	5/16"x23xt3	1	
136	S022	Hex. Head Screw	5/16"x3/4"L	1	
201	18121	Gear Box Assembly		1	
201-1	181216A	Gear Box		1	
201-2	181219-1	Transmission Wheel Shaft		1	
201-3	181218-1	Bushing		1	
201-4	181217-1	Bushing		1	
201-5	CA6205LLU	Bearing	6205LLU	2	
201-7	HCS13	C-Retainer Ring	S25	1	

PARTS LIST

MODEL NO. 712N

CODE NO	PART NO	DESCRIPTION	SPECIFICATION	QTY	NOTE
201-8	3092	Gear Box Gasket		1	
201-9	181222-1	Gear Box Cover		1	
201-10	S201	Cross Socker Hex. Head Screv	1/4"x1/2"L	4	
201-11	3149	Vent Plug	M8xP1	1	
201-12	181246	Bearing Cover		1	
201-13	S708	Cross Round Head Screw	3/16"x3/8"L	3	
201-14	181220-1	Worm Gear		1	
202	18138	Worm Gear Shaft Assembly		1	
202-1	181223	Worm Shaft		1	
202-2	181224	Bearing Bushing		1	
202-3	CA6003LLU	Bearing	6003LLU	2	
202-4	HCS06	C-Retainer Ring	S17	1	
202-6	S607	Hex. Socker Headless Screw	5/16"x1/2"L	1	
203	K008	Key	5x5x30L	1	
204	HK025	Key	6x6x20L	1	
209-1	181226	Spindle Pulley		1	
209-2	S604	Hex. Socker Headless Screw	1/4"x3/8"L	2	
211	181874	Belt	3Vx270	1	
227	181203-1	Body Frame		1	
228	W204	Spring Washer	3/8"	4	
229	S013	Hex. Head Screw	3/8"x1-1/4"L	4	
230	HCS13	C-Retainer Ring	S25	1	
231	181214-2S	Drive Wheel Assembly		1	
232	S022	Hex. Head Screw	5/16"x3/4"L	2	
237	181210	Sliding Plate		2	
238	181211	Blade Tension Sliding Block		1	
239	S608	Hex. Socker Headless Screw	5/16"x3/4"L	1	
240	S019	Hex. Head Screw	5/16"x1-1/2"L	2	
241	W015	Washer	5/16"x12xt2	2	
242	W205	Spring Washer	5/16"	4	
243	S020	Hex. Head Screw	5/16"x3/4"L	4	
244	181212	Spring		1	
245	181213	Blade Adjustable Knob		1	
249	18122	Shaft Assembly		1	
250	18123A	Idler Wheel Assembly		1	
251	181894	Blade	0.032"x3/4"x93"x6-10T	1	
251	181894-2	Blade	0.032"x3/4"x93"x6-10T	1	Optional
254	181240	Switch Cut Off Tip		1	
255	W005	Washer	1/4"x16xt1.5	1	
256	S201	Cross Socker Hex. Head Screv	1/4"x1/2"L	1	
258	181242BS	Brush Assembly		1	
261	3066-3	Blade Adjustable Knob		1	
266	18128	Adjustable Bracket Assembly (Rear)		1	
267	18126	Guide Pivot Assembly		1	
268	18127	Bearing Shaft Assembly		1	
269	18124K	Adjustable Bracket (Front)		1	
270	18126	Guide Pivot Assembly		1	
271	18127	Bearing Shaft Assembly		1	
279	181231	Blade Cover(Front)		1	
280	S711	Cross Round Head Screw	5/32"x1/4"L	2	

PARTS LIST

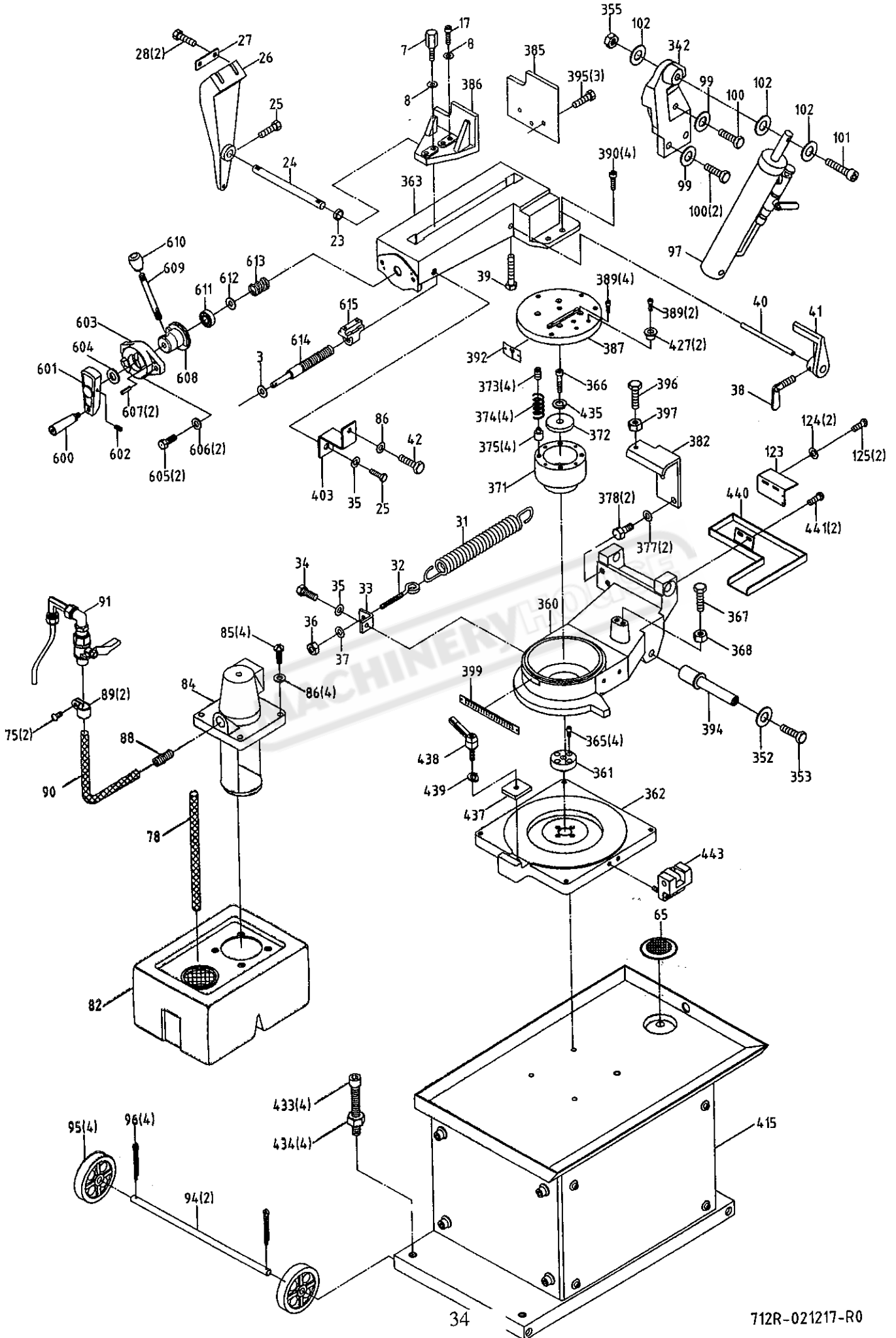
MODEL NO. 712N

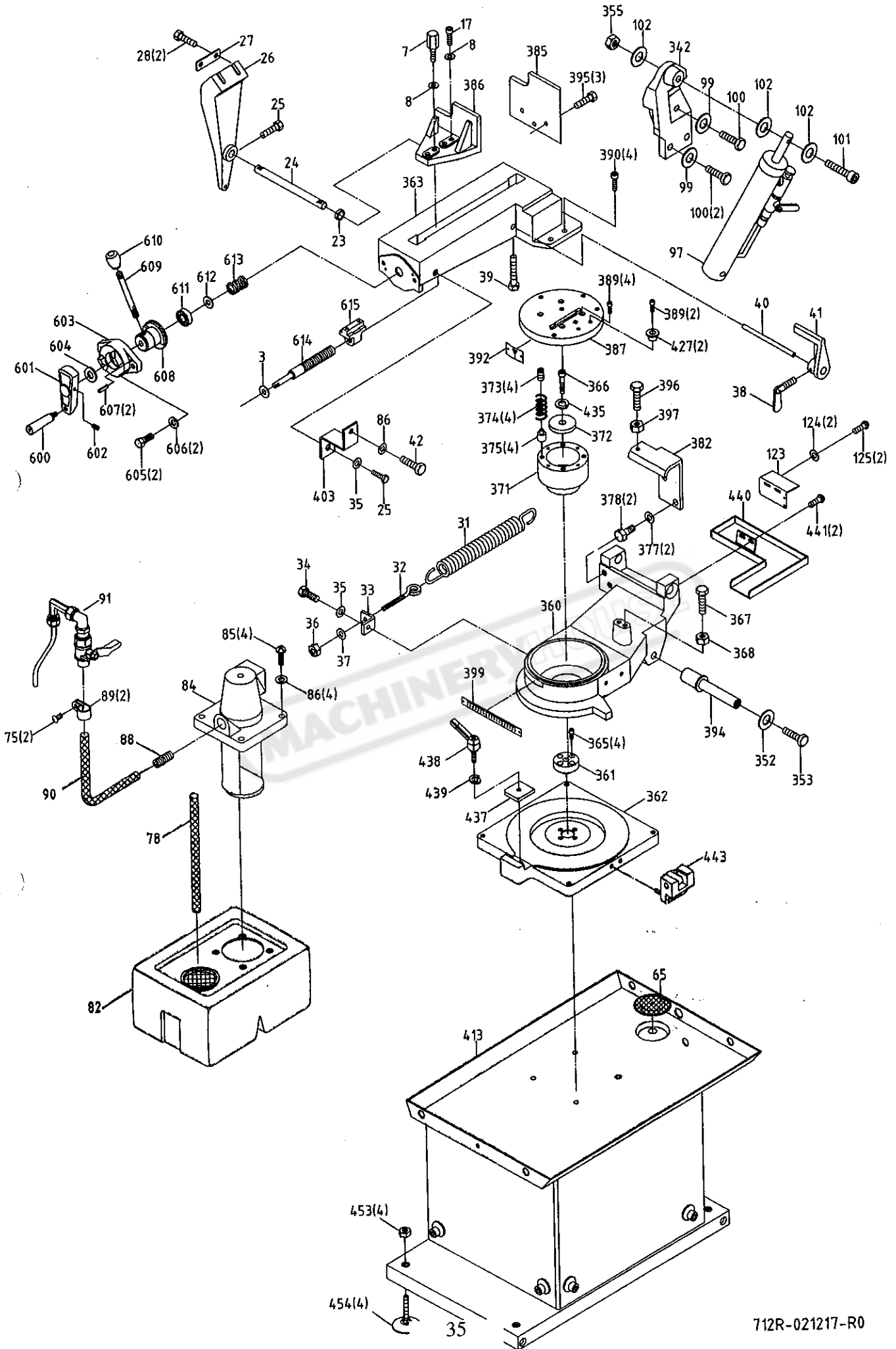
CODE NO	PART NO	DESCRIPTION	SPECIFICATION	QTY	NOTE
284	181202	Knob		2	
285	W005	Washer	1/4"x16xt1.5	2	
286	18137	Blade Back Cover		1	
288	W005	Washer	1/4"x16xt1.5	4	
289	S701	Cross Round Head Screw	1/4"x1/2"L	4	
290	S201	Cross Socker Hex. Head Screv	1/4"x1/2"L	1	For CE Only
290	3058	Plum handle		1	
291	181237I	Motor Pulley Cover		1	
291	18131	Motor Pulley Cover		1	For CE Only
292	181237D	Cover		1	
293	S201	Cross Socker Hex. Head Screv	1/4"x1/2"L	2	
294	W004	Washer	1/4"x19xt1.5	2	
295	K008	Key	5x5x30L	2	
297-1	181235	Motor Pulley		1	
297-2	S604	Hex. Socker Headless Screw	1/4"x3/8"L	1	
298	S503	Carriage Screw	5/16"x1"L	4	
299	S013	Hex. Head Screw	3/8"x1-1/4"L	1	
300		Motor		1	
301	S021	Hex. Head Screw	5/16"x2"L	2	
302	N007	Hex. Nut	5/16"	2	
303	181234A	Motor Mount Plate		1	
304	N007	Hex. Nut	5/16"	4	
305	S022	Hex. Head Screw	5/16"x3/4"L	4	
306	W016	Washer	5/16"x23xt2	8	
307	181233A	Motor Mount Bracket		1	
308	W008	Washer	3/8"x25xt2	2	
310	S201	Cross Socker Hex. Head Screv	1/4"x1/2"L	2	
311	W005	Washer	1/4"x16xt1.5	2	
312	181232-1	Support Plate		1	
313	3055-3	Vertical Saw Table		1	Optional
314	W008	Washer	3/8"x25xt2	2	
316	181012	Scale		1	
323	S807	Screw	5/32"x1/8"L	4	
324	ET1930	Electrical Box		2	
325	ET1931	Cover		2	
326	S708	Cross Round Head Screw	3/16"x3/8"L	2	
333	W007	Washer	3/16"x12xt0.8	2	
335	ET2108	Wire Nipple	5/8"	2	
339	181992	Bushing		1	
340	181993A	Cylinder Protector		1	
341	181301-2	Cylinder Lower Support		1	
342	181302-2	Cylinder Upper Support		1	
343	W005	Washer	1/4"x16xt1.5	1	For CE Only
345	181991	Emergency Switch Bracket		1	For CE Only
345	181991A	Emergency Switch Bracket		1	Optional - France Area
348	S727	Cross Round Head Screw	M6x12L	4	For CE Only
351	S407	Hex. Socket Head Screw	3/16"x3/8"L	2	For CE Only
352	W016	Washer	5/16"x19xt1.5	1	
353	S018	Hex. Head Screw	5/16"x1/2"L	1	
354	181608	Washer		1	

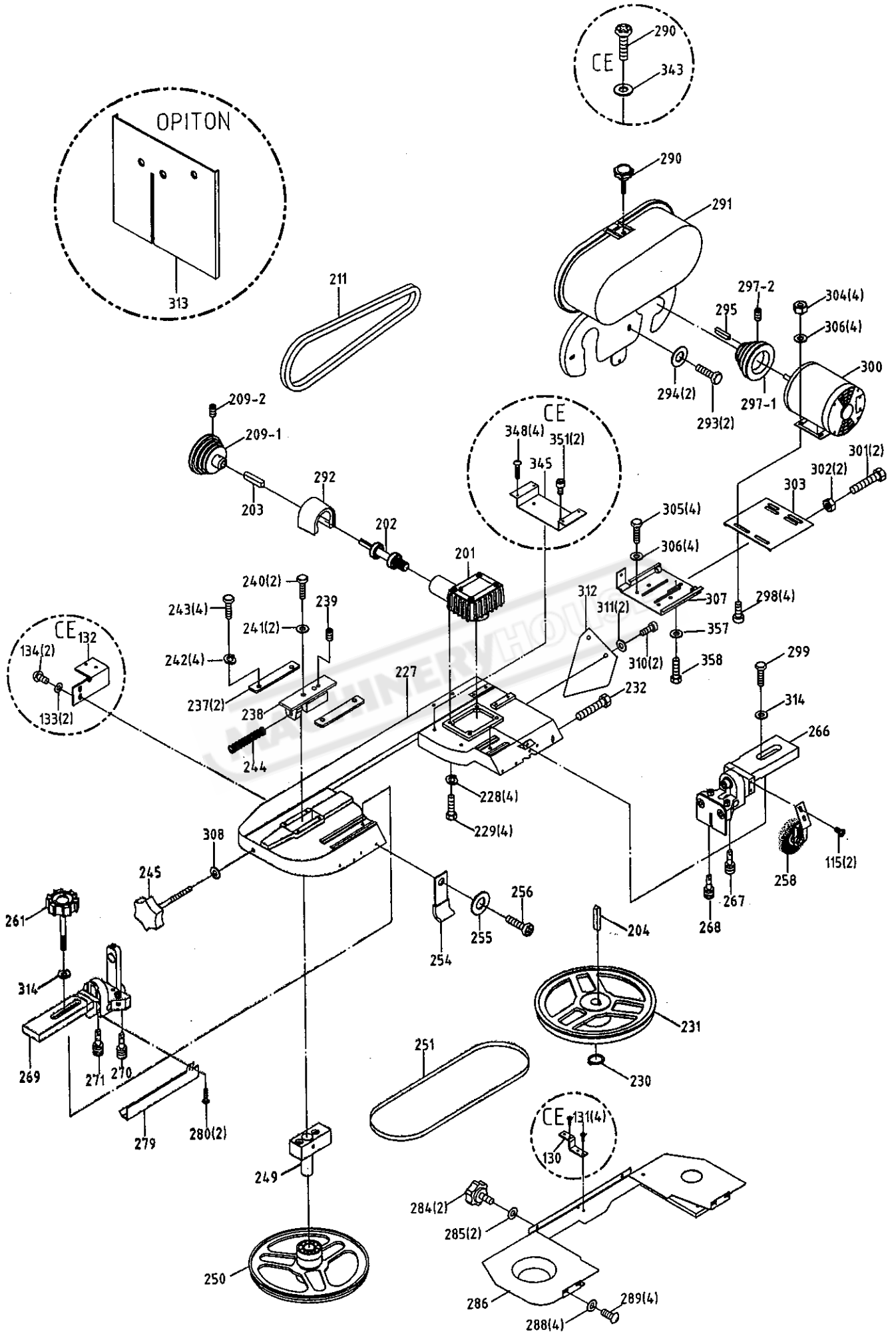
PARTS LIST

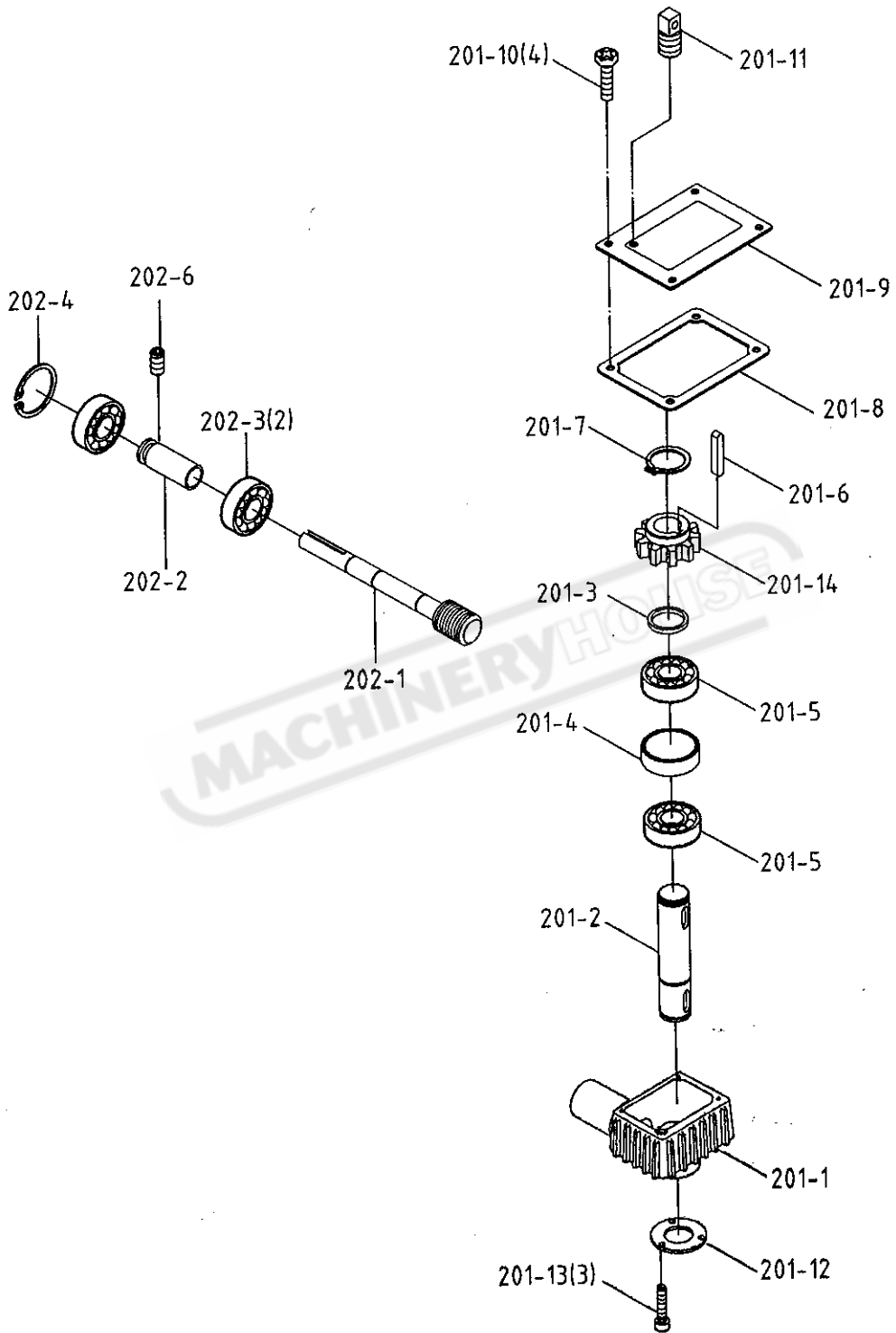
MODEL NO. 712N

CODE NO	PART NO	DESCRIPTION	SPECIFICATION	QTY	NOTE
355	N005	Hex. Nut	3/8"	1	
357	W018	Washer	5/16"x23xt3	1	
358	S022	Hex. Head Screw	5/16"x3/4"L	1	
370	ET2107	Wire Nipple	1/2"	5	
393	ET1403	Toggle Switch		1	
407	192039	Hand Rod		1	
408	N005	Hex. Nut	3/8"	4	
409	W013	Washer	3/8"	8	
410	S013	Hex. Head Screw	3/8"x1-1/4"L	4	
411	181308	Coaster of Stand	3/8"	2	
600	3027	Knob		1	All thread
601	193057	Knob		1	All thread
602	S601	Hex. Socker Headless Screw	1/4"x1/2"L	1	All thread
603	193055	Pressure Lump		1	All thread
604	HW007	Washer	M12xt2	1	All thread
605	S013	Hex. Head Screw	3/8"x1-1/4"L	2	All thread
606	W013	Washer	3/8"x20xt2	2	All thread
607	HP018	Pin	5X20L	1	All thread
608	193056	Pressure Shaft		1	All thread
609	193059	Knob W/Shaft		1	All thread
610	290086	Plastic Round Knob	RF31\	1	All thread
611	CA51101	Bearing		1	All thread
612	HW007	Washer	M12xt2	1	All thread
613	193058	Spring		1	All thread
614	181108C	Acme Screw		1	All thread
614	182037B	Acme Screw		1	All thread
615	181138B	Acme Nut		1	All thread









712DR-021217-R0

PARTS LIST

MODEL NO. 712R

CODE NO	PART NO	DESCRIPTION	SPECIFICATION	QTY	NOTE
3	W002	Washer	1/2"x28xt2	1	
7	181266	Fixed Bolt		1	
8	W008	Washer	3/8"x25xt2	2	
17	S012	Hex. Head Screw	3/8"x1-1/2"L	1	
23	181121	Bushing		1	
24	181122-1	Support Rod		1	
25	S063	Screw	5/16"x3/4"L	1	
26	181123	Pivot Bracket		1	
27	181270	Washer		1	
28	S012	Hex. Head Screw	3/8"x1-1/2"L	2	
31	182050	Spring		1	
32	182049	Spring Adjusting Screw		1	
33	182003	Spring Bracket		1	
34	S022	Hex. Head Screw	5/16"x3/4"L	1	
35	W016	Washer	5/16"x23xt2	2	
36	N005	Hex. Nut	3/8"	1	
37	W014	Washer	3/8"x23xt2	1	
38	181130	Thumb Screw		1	
39	S022	Hex. Head Screw	5/16"x3/4"L	1	
40	3021	Stock Stop Rod		1	
41	181125	Stop Block		1	
42	S019	Hex. Head Screw	5/16"x1-1/2"L	1	
65	191106A	Filter		1	
75	S708	Cross Round Head Screw	3/16"x3/8"L	4	
78	182076	Hose	3/4"x200mm	1	
82	181256	Coolant Tank		1	
84		pump		1	
85	S701	Cross Round Head Screw	1/4"x1/2"L	4	
86	W004	Washer	1/4"x19xt1.5	5	
88	181852	Coupler	3/8"PTx5/16"	1	
89	181601	Hose Clip	5/8"	2	
90	181981	Hose	OD12xID8x2000	1	
91	181980	Fitting		1	
94	182026	Stand Wheel Rod		2	
95	181129	Wheel		4	
96	HP210	Cotter Pin	∅ 3x25L	4	
97	182042	Cylinder Complete Set		1	
99	W017	Washer	5/16"x18xt1.5	3	
100	S017	Hex. Head Screw	5/16"x1"L	3	
101	S412	Hex. Socket Head Screw	3/8"x2-1/4"L	1	
102	W013	Washer	3/8"x20xt2	3	
115	S708	Cross Round Head Screw	3/16"x3/8"L	2	
123	193046	Power Cutting Bracket		1	
124	W007	Washer	M5	2	
125	S721	Cross Round Head Screw	M5x10L	2	
130	181306	Bracket		1	For CE Only
130	181306A	Bracket		1	Optional - France Area
131	HS508	Cross Round Head Screw	M4x5L	4	For CE Only
132	181305	Switch Base		1	For CE Only
132	181305A	Switch base		1	Optional - France Area

PARTS LIST

MODEL NO. 712R

CODE NO	PART NO	DESCRIPTION	SPECIFICATION	QTY	NOTE
133	HW003	Washer	M5	2	For CE Only
134	HW509	Cross Round Head Screw	M4x10L	2	For CE Only
201	18121	Gear Box Assembly		1	
201-1	181216A	Gear Box		1	
201-2	181219-1	Transmission Wheel Shaft		1	
201-3	181218-1	Bushing		1	
201-4	181217-1	Bushing		1	
201-5	CA6205LLU	Bearing	6205LLU	2	
201-7	HCS13	C-Retainer Ring	S25	1	
201-8	3092	Gear Box Gasket		1	
201-9	181222-1	Gear Box Cover		1	
201-10	S201	Cross Socker Hex. Head Screw	1/4"x1/2"L	4	
201-11	3149	Vent Plug	M8xP1	1	
201-12	181246	Bearing Cover		1	
201-13	S708	Cross Round Head Screw	3/16"x3/8"L	3	
201-14	181220-1	Worm Gear		1	
202	18138	Worm Gear Shaft Assembly		1	
202-1	181223	Worm Shaft		1	
202-2	181224	Bearing Bushing		1	
202-3	CA6003LLU	Bearing	6003LLU	2	
202-4	HCS06	C-Retainer Ring	S17	1	
202-6	S607	Hex. Socker Headless Screw	5/16"x1/2"L	1	
203	K008	Key	5x5x30L	1	
204	HK025	Key	6x6x20L	1	
209-1	181226B	Spindle Pulley		1	
209-2	S604	Hex. Socker Headless Screw	1/4"x3/8"L	2	
211	181874	Belt	3Vx270	1	
227	181203-1	Body Frame		1	
228	W204	Spring Washer	3/8"	4	
229	S013	Hex. Head Screw	3/8"x1-1/4"L	4	
230	HCS13	C-Retainer Ring	S25	1	
231	181214-2S	Drive Wheel Assembly		1	
232	S022	Hex. Head Screw	5/16"x3/4"L	2	
237	181210	Sliding Plate		2	
238	181211	Blade Tension Sliding Block		1	
239	S608	Hex. Socker Headless Screw	5/16"x3/4"L	1	
240	S019	Hex. Head Screw	5/16"x1-1/2"L	2	
241	W015	Washer	5/16"x12xt2	2	
242	W205	Spring Washer	5/16"	4	
243	S020	Hex. Head Screw	5/16"x3/4"L	4	
244	181212	Spring		1	
245	181213	Blade Adjustable Knob		1	
249	18122	Shaft Assembly		1	
250	18123A	Idler Wheel Assembly		1	

PARTS LIST

MODEL NO. 712R

CODE NO	PART NO	DESCRIPTION	SPECIFICATION	QTY	NOTE
251	181894	Blade	0.032"x3/4"x93"x6-10T	1	
251	181894-2	Blade	0.032"x3/4"x93"x6-10T	1	
254	181240	Switch Cut Off Tip		1	
255	W005	Washer	1/4"x16xt1.5	1	
256	S201	Cross Socker Hex. Head Screv	1/4"x1/2"L	1	
258	181242BS	Brush Assembly		1	
261	3066-3	Blade Adjustable Knob		1	
266	18128	Adjustable Bracket Assembly (Rear)		1	
267	18126	Guide Pivot Assembly		1	
268	18127	Bearing Shaft Assembly		1	
269	18124K	Adjustable Bracket (Front)		1	
270	18126	Guide Pivot Assembly		1	
271	18127	Bearing Shaft Assembly		1	
279	181231	Blade Cover(Front)		1	
280	S711	Cross Round Head Screw	5/32"x1/4"L	2	
284	181202	Knob		2	
285	W005	Washer	1/4"x16xt1.5	2	
286	18137	Blade Back Cover		1	
288	W005	Washer	1/4"x16xt1.5	4	
289	S701	Cross Round Head Screw	1/4"x1/2"L	4	
290	S201	Cross Socker Hex. Head Screv	1/4"x1/2"L	1	For CE Only
290	3058	Plum handle		1	
291	181237I	Motor Pulley Cover		1	
291	18131	Motor Pulley Cover		1	For CE Only
292	181237D	Cover		1	
293	S201	Cross Socker Hex. Head Screv	1/4"x1/2"L	2	
294	W004	Washer	1/4"x19xt1.5	2	
295	K008	Key	5x5x30L	2	
297-1	181235B	Motor Pulley		1	
297-2	S604	Hex. Socker Headless Screw	1/4"x3/8"L	1	
298	S503	Carriage Screw	5/16"x1"L	4	
299	S013	Hex. Head Screw	3/8"x1-1/4"L	1	
300		Motor		1	
301	S021	Hex. Head Screw	5/16"x2"L	2	
302	N007	Hex. Nut	5/16"	2	
303	181234A	Motor Mount Plate		1	
304	N007	Hex. Nut	5/16"	4	
305	S022	Hex. Head Screw	5/16"x3/4"L	4	
306	W016	Washer	5/16"x23xt2	8	
307	181233A	Motor Mount Bracket		1	
308	W008	Washer	3/8"x25xt2	2	
310	S201	Cross Socker Hex. Head Screv	1/4"x1/2"L	2	
311	W005	Washer	1/4"x16xt1.5	2	
312	181232-1	Support Plate		1	

PARTS LIST

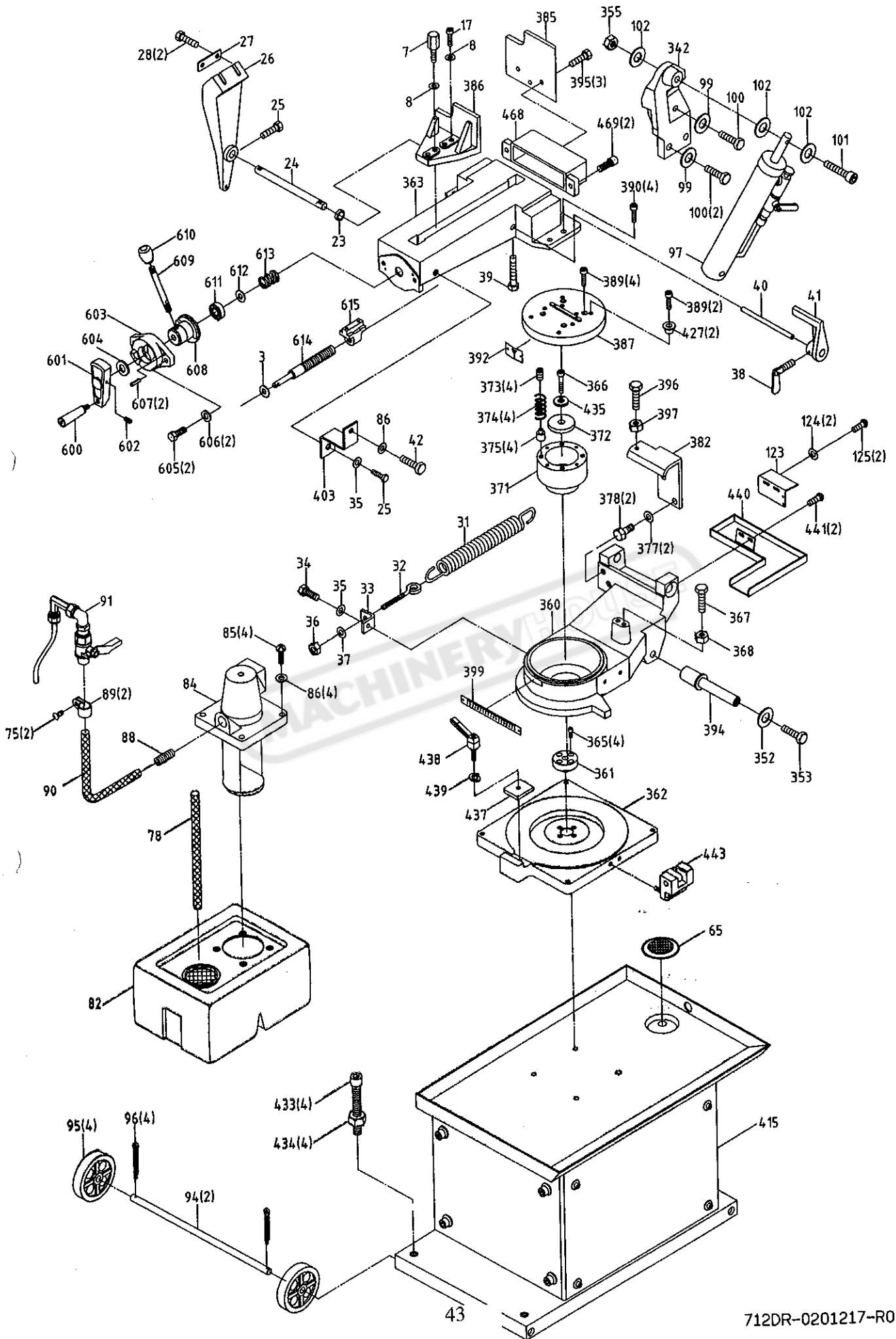
MODEL NO. 712R

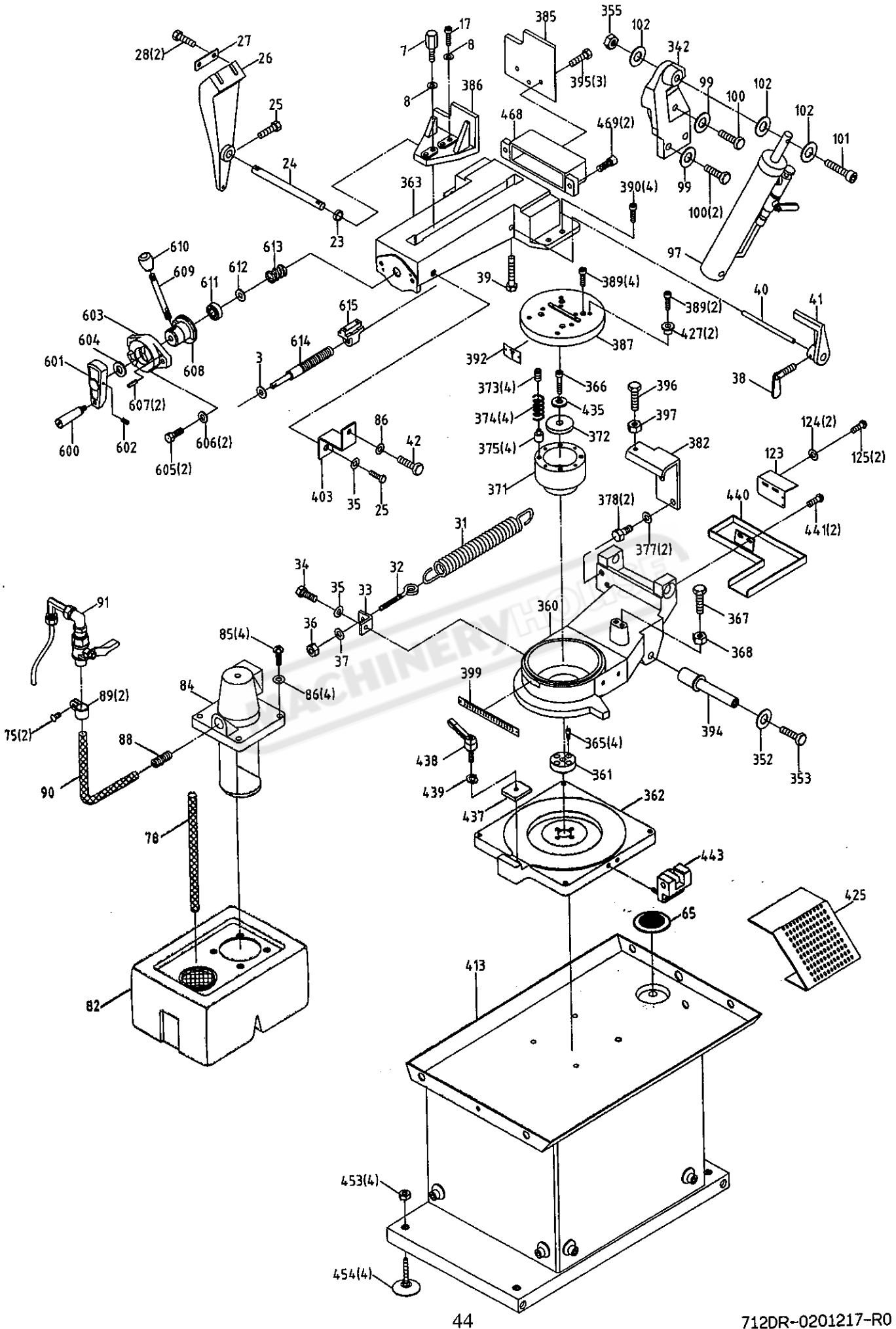
CODE NO	PART NO	DESCRIPTION	SPECIFICATION	QTY	NOTE
313	3055-3	Vertical Saw Table		1	Optional
314	W008	Washer	3/8"x25xt2	2	
342	181302-2	Cylinder Upper Support		1	
343	W005	Washer	1/4"x16xt1.5	1	For CE Only
345	181991	Emergency Switch Bracket		1	For CE Only
345	181991A	Emergency Switch Bracket		1	Optional - France Area
345	181998	Control Base		1	
348	S727	Cross Round Head Screw	M6x12L	4	For CE Only
351	S407	Hex. Socket Head Screw	3/16"x3/8"L	2	For CE Only
352	W016	Washer	5/16"x19xt1.5	1	
353	S018	Hex. Head Screw	5/16"x1/2"L	1	
355	N005	Hex. Nut	3/8"	1	
357	W018	Washer	5/16"x23xt3	1	
358	S022	Hex. Head Screw	5/16"x3/4"L	1	
360	182020A	Swivel Arm		1	
361	182010	Rod		1	
362	182017B	Swivel Base		1	
363	182021B	Vise Base		1	
365	S460	Hex. Socket Head Screw	M8x20L	4	
366	S440	Hex. Socket Head Screw	M16x60L	1	
367	193032	Bolt	1/2"x2-1/2"L	1	
368	N001	Hex. Nut	1/2"	1	
371	182009	Fixed Shaft		1	
372	182011	Washer		1	
373	S613	Hex. Socker Headless Screw	M12x15L	4	
374	182008	Spring		4	
375	182007	Copper Post		4	
377	W017	Washer	5/16"x18xt1.5	2	
378	S022	Hex. Head Screw	5/16"x3/4"L	2	
382	182004A	Bracket		1	
385	182015	Vise Jaw Bracket(Rear)		1	
386	182016	Vise Jaw Bracket(Front)		1	
387	182018S	Cap Assembly		1	
389	S416	Hex. Socket Head Screw	M8x25L	6	
390	S425	Hex. Socket Head Screw	M10x30L	4	
392	1976015	Meter Indicator		1	
394	182045	Cylinder Lower Support		1	
395	S023	Hex. Head Screw	5/16"x1-1/4"L	3	
396	S013	Hex. Head Screw	5/16"x1-1/4"L	1	
397	N007	Hex. Nut	5/16"	1	
399	182014	Degree-Meter		1	
403	182024	Fixed Plate		1	
413	182030-2S	Stand Complete Assembly		1	
415	193008S	Stand Complete Assembly		1	

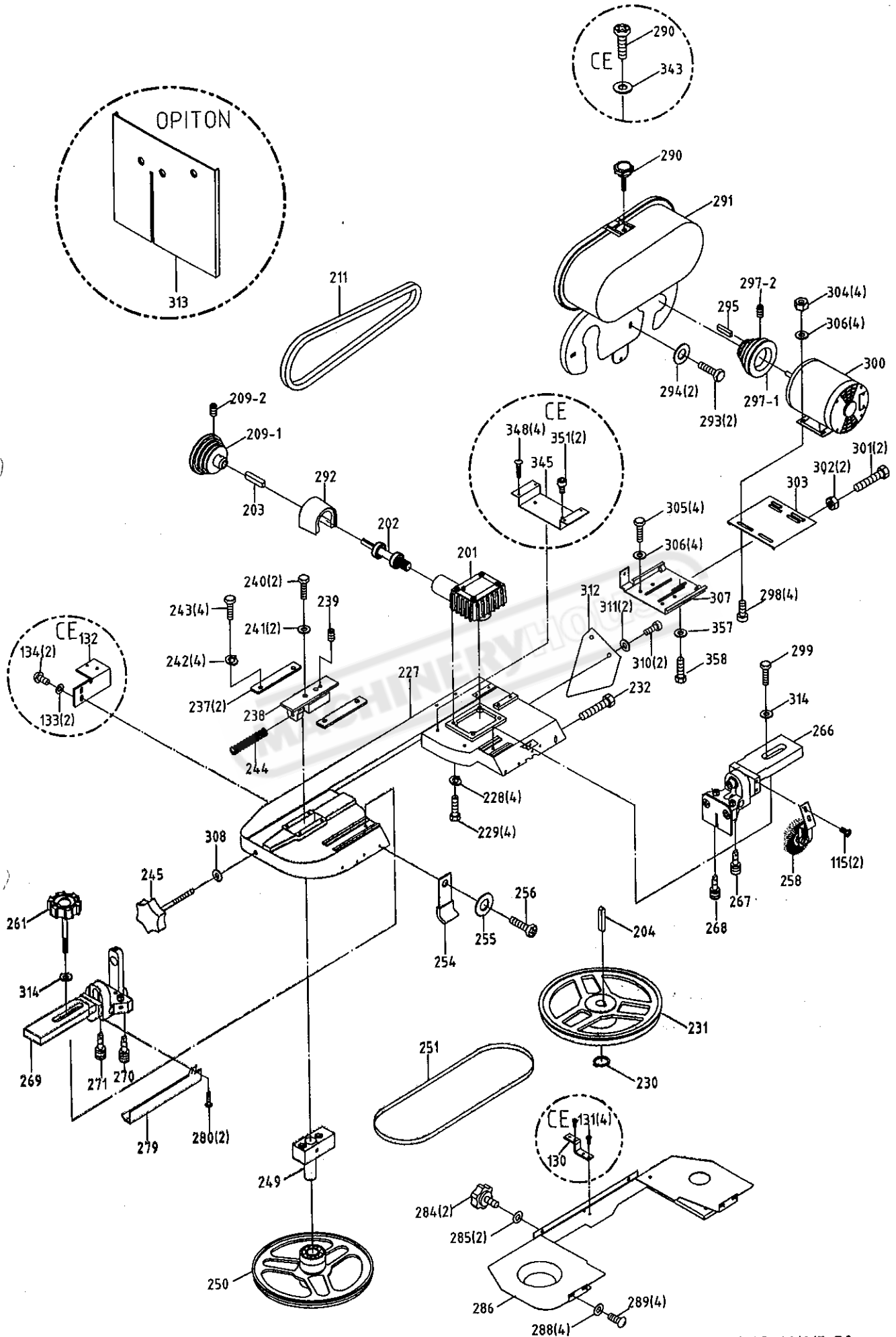
PARTS LIST

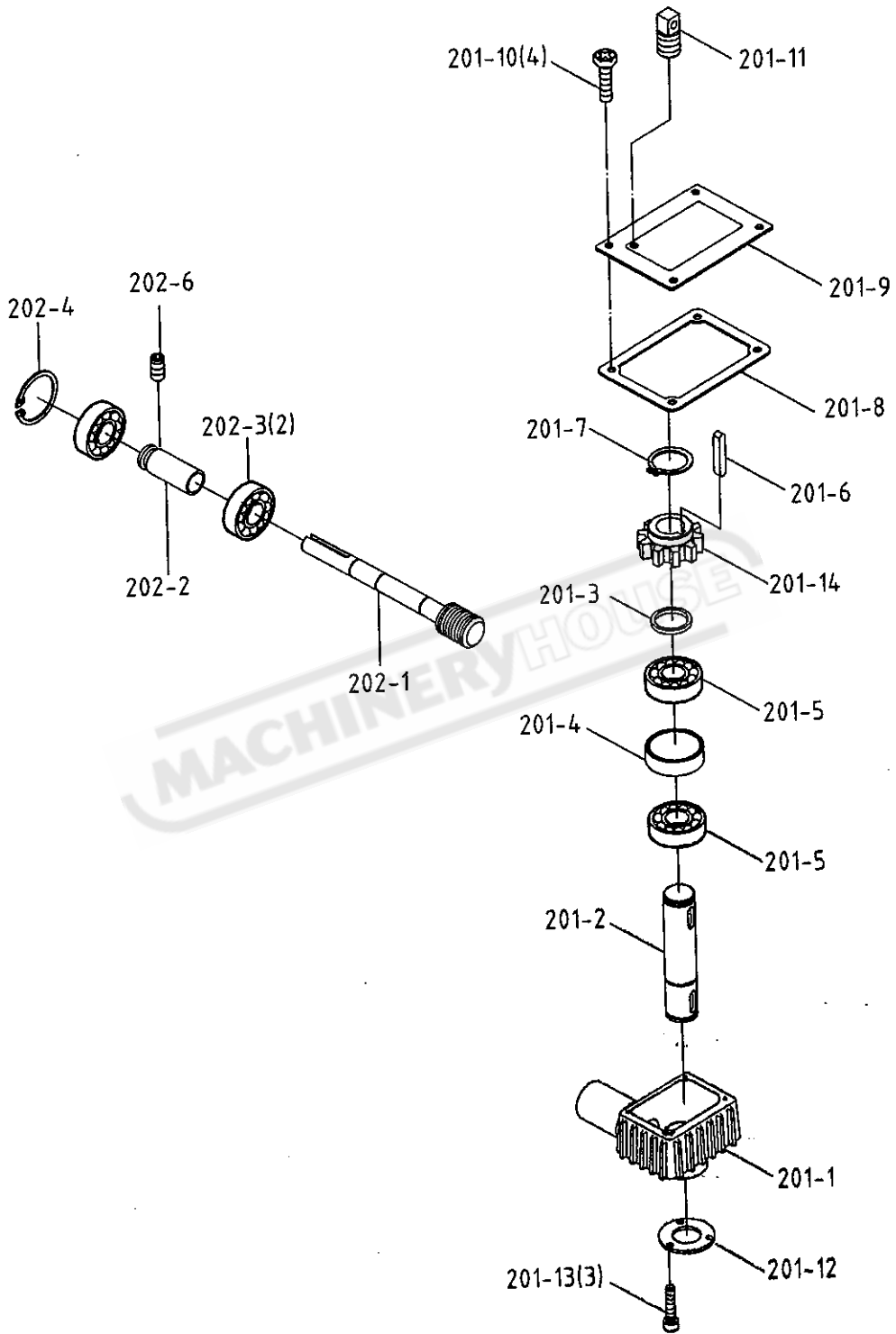
MODEL NO. 712R

CODE NO	PART NO	DESCRIPTION	SPECIFICATION	QTY	NOTE
427	182047	Fix Block		2	
433	HS294	Hex. Socket Head Screw	M12x120L	4	
434	HN007	Hex. Nut	M12	4	
435	W209	Spring Washer	M16	1	
437	182060	Swivel Arm Briquette		1	
438	191210A	Knob		1	
439	W204	Spring Washer	3/8"	1	
440	182061	Splash Board		1	
441	S732	Cross Round Head Screw	5/16"x1/2"L	2	
443	193029S	Protractor Locating Bracket Assembly		1	
453	N001	Hex. Nut	1/2"	4	
454	182063	Coaster of Stand	1/2"X120L	4	
600	3027	Knob		1	
601	193057	Knob		1	
602	S601	Hex. Socker Headless Screw	1/4"x1/2"L	1	
603	193055	Pressure Lump		1	
604	HW007	Washer	M12xt2	1	
605	S013	Hex. Head Screw	3/8"x1-1/4"L	2	
606	W013	Washer	3/8"x20xt2	2	
607	HP018	Pin	ϕ 5X20L	1	
608	193056	Pressure Shaft		1	
609	193059	Knob W/Shaft		1	
610	290086	Plastic Round Knob		1	
611	CA51101	Bearing		1	
612	HW007	Washer	M12xt2	1	
613	193058	Spring		1	
614	182037B	Acme Screw		1	
615	181138B	Acme Nut		1	









712R-021217-R0

PARTS LIST

MODEL NO. 712DR

CODE NO	PART NO	DESCRIPTION	SPECIFICATION	QTY	NOTE
3	W002	Washer	1/2"x28xt2	1	
7	181266	Fixed Bolt		1	
8	W008	Washer	3/8"x25xt2	2	
17	S012	Hex. Head Screw	3/8"x1-1/2"L	1	
23	181121	Bushing		1	
24	181122-1	Support Rod		1	
25	S063	Screw	5/16"x3/4"L	1	
26	181123	Pivot Bracket		1	
27	181270	Washer		1	
28	S012	Hex. Head Screw	3/8"x1-1/2"L	2	
31	182050	Spring		1	
32	182049	Spring Adjusting Screw		1	
33	182003	Spring Bracket		1	
34	S022	Hex. Head Screw	5/16"x3/4"L	1	
35	W016	Washer	5/16"x23xt2	2	
36	N005	Hex. Nut	3/8"	1	
37	W014	Washer	3/8"x23xt2	1	
38	181130	Thumb Screw		1	
39	S022	Hex. Head Screw	5/16"x3/4"L	1	
40	3021	Stock Stop Rod		1	
41	181125	Stop Block		1	
42	S019	Hex. Head Screw	5/16"x1-1/2"L	1	
65	191106A	Filter		1	
75	S708	Cross Round Head Screw	3/16"x3/8"L	4	
78	182076	Hose	3/4"x200mm	1	
82	181256	Coolant Tank		1	
84		pump		1	
85	S701	Cross Round Head Screw	1/4"x1/2"L	4	
86	W004	Washer	1/4"x19xt1.5	5	
88	181852	Coupler	3/8"PTx5/16"	1	
89	181601	Hose Clip	5/8"	2	
90	181981	Hose	OD12xID8x2000	1	
91	181980	Fitting		1	
94	182026	Stand Wheel Rod		2	
95	181129	Wheel		4	
96	HP210	Cotter Pin	∅ 3x25L	4	
97	182042	Cylinder Complete Set		1	
99	W017	Washer	5/16"x18xt1.5	3	
100	S017	Hex. Head Screw	5/16"x1"L	3	
101	S412	Hex. Socket Head Screw	3/8"x2-1/4"L	1	
102	W013	Washer	3/8"x20xt2	3	
115	S708	Cross Round Head Screw	3/16"x3/8"L	2	
123	193046	Power Cutting Bracket		1	
124	W007	Washer	M5	2	
125	S721	Cross Round Head Screw	M5x10L	2	
130	181306	Bracket , For CE Only		1	For CE Only
130	181306A	Bracket		1	Optional - France Area
131	HS508	Cross Round Head Screw	M4x5L	4	For CE Only
132	181305	Switch Base		1	For CE Only
132	181305A	Switch base		1	Optional - France Area

PARTS LIST
MODEL NO. 712DR

CODE NO	PART NO	DESCRIPTION	SPECIFICATION	QTY	NOTE
133	HW003	Washer	M5	2	For CE Only
134	HW509	Cross Round Head Screw	M4x10L	2	For CE Only
201	18121	Gear Box Assembly		1	
201-1	181216A	Gear Box		1	
201-2	181219-1	Transmission Wheel Shaft		1	
201-3	181218-1	Bushing		1	
201-4	181217-1	Bushing		1	
201-5	CA6205LLU	Bearing	6205LLU	2	
201-7	HCS13	C-Retainer Ring	S25	1	
201-8	3092	Gear Box Gasket		1	
201-9	181222-1	Gear Box Cover		1	
201-10	S201	Cross Socker Hex. Head Screw	1/4"x1/2"L	4	
201-11	3149	Vent Plug	M8xP1	1	
201-12	181246	Bearing Cover		1	
201-13	S708	Cross Round Head Screw	3/16"x3/8"L	3	
201-14	181220-1	Worm Gear		1	
202	18138	Worm Gear Shaft Assembly		1	
202-1	181223	Worm Shaft		1	
202-2	181224	Bearing Bushing		1	
202-3	CA6003LLU	Bearing	6003LLU	2	
202-4	HCS06	C-Retainer Ring	S17	1	
202-6	S607	Hex. Socker Headless Screw	5/16"x1/2"L	1	
203	K008	Key	5x5x30L	1	
204	HK025	Key	6x6x20L	1	
209-1	181226B	Spindle Pulley		1	
209-2	S604	Hex. Socker Headless Screw	1/4"x3/8"L	2	
211	181874	Belt	3Vx270	1	
227	181203-1	Body Frame		1	
228	W204	Spring Washer	3/8"	4	
229	S013	Hex. Head Screw	3/8"x1-1/4"L	4	
230	HCS13	C-Retainer Ring	S25	1	
231	181214-2S	Drive Wheel Assembly		1	
232	S022	Hex. Head Screw	5/16"x3/4"L	2	
237	181210	Sliding Plate		2	
238	181211	Blade Tension Sliding Block		1	
239	S608	Hex. Socker Headless Screw	5/16"x3/4"L	1	
240	S019	Hex. Head Screw	5/16"x1-1/2"L	2	
241	W015	Washer	5/16"x12xt2	2	
242	W205	Spring Washer	5/16"	4	
243	S020	Hex. Head Screw	5/16"x3/4"L	4	
244	181212	Spring		1	
245	181213	Blade Adjustable Knob		1	
249	18122	Shaft Assembly		1	
250	18123A	Idler Wheel Assembly		1	

PARTS LIST

MODEL NO. 712DR

CODE NO	PART NO	DESCRIPTION	SPECIFICATION	QTY	NOTE
251	181894	Blade	0.032"x3/4"x93"x6-10T	1	
251	181894-2	Blade	0.032"x3/4"x93"x6-10T	1	
254	181240	Switch Cut Off Tip		1	
255	W005	Washer	1/4"x16xt1.5	1	
256	S201	Cross Socker Hex. Head Screv	1/4"x1/2"L	1	
258	181242BS	Brush Assembly		1	
261	3066-3	Blade Adjustable Knob		1	
266	18128	Adjustable Bracket Assembly (Rear)		1	
267	18126	Guide Pivot Assembly		1	
268	18127	Bearing Shaft Assembly		1	
269	18124K	Adjustable Bracket (Front)		1	
270	18126	Guide Pivot Assembly		1	
271	18127	Bearing Shaft Assembly		1	
279	181231	Blade Cover(Front)		1	
280	S711	Cross Round Head Screw	5/32"x1/4"L	2	
284	181202	Knob		2	
285	W005	Washer	1/4"x16xt1.5	2	
286	18137	Blade Back Cover		1	
288	W005	Washer	1/4"x16xt1.5	4	
289	S701	Cross Round Head Screw	1/4"x1/2"L	4	
290	S201	Cross Socker Hex. Head Screv	1/4"x1/2"L	1	For CE Only
290	3058	Plum handle		1	
291	181237I	Motor Pulley Cover		1	
291	18131	Motor Pulley Cover		1	For CE Only
292	181237D	Cover		1	
293	S201	Cross Socker Hex. Head Screv	1/4"x1/2"L	2	
294	W004	Washer	1/4"x19xt1.5	2	
295	K008	Key	5x5x30L	2	
297-1	181235B	Motor Pulley		1	
297-2	S604	Hex. Socker Headless Screw	1/4"x3/8"L	1	
298	S503	Carriage Screw	5/16"x1"L	4	
299	S013	Hex. Head Screw	3/8"x1-1/4"L	1	
300		Motor		1	
301	S021	Hex. Head Screw	5/16"x2"L	2	
302	N007	Hex. Nut	5/16"	2	
303	181234A	Motor Mount Plate		1	
304	N007	Hex. Nut	5/16"	4	
305	S022	Hex. Head Screw	5/16"x3/4"L	4	
306	W016	Washer	5/16"x23xt2	8	
307	181233A	Motor Mount Bracket		1	
308	W008	Washer	3/8"x25xt2	2	
310	S201	Cross Socker Hex. Head Screv	1/4"x1/2"L	2	
311	W005	Washer	1/4"x16xt1.5	2	
312	181232-1	Support Plate		1	

PARTS LIST

MODEL NO. 712DR

CODE NO	PART NO	DESCRIPTION	SPECIFICATION	QTY	NOTE
313	3055-3	Vertical Saw Table		1	Optional
314	W008	Washer	3/8"x25xt2	2	
342	181302-2	Cylinder Upper Support		1	
343	W005	Washer	1/4"x16xt1.5	1	For CE Only
345	181991	Emergency Switch Bracket		1	For CE Only
345	181991A	Emergency Switch Bracket		1	Optional - France Area
345	181998	Control Base		1	
348	S727	Cross Round Head Screw	M6x12L	4	For CE Only
351	S407	Hex. Socket Head Screw	3/16"x3/8"L	2	For CE Only
352	W016	Washer	5/16"x19xt1.5	1	
353	S018	Hex. Head Screw	5/16"x1/2"L	1	
355	N005	Hex. Nut	3/8"	1	
357	W018	Washer	5/16"x23xt3	1	
358	S022	Hex. Head Screw	5/16"x3/4"L	1	
360	182020A	Swivel Arm		1	
361	182010	Rod		1	
362	182017B	Swivel Base		1	
363	182044A	Vise Base		1	
365	S460	Hex. Socket Head Screw	M8x20L	4	
366	S440	Hex. Socket Head Screw	M16x60L	1	
367	193032	Bolt	1/2"x2-1/2"L	1	
368	N001	Hex. Nut	1/2"	1	
371	182009	Fixed Shaft		1	
372	182011	Washer		1	
373	S613	Hex. Socker Headless Screw	M12x15L	4	
374	182008	Spring		4	
375	182007	Copper Post		4	
377	W017	Washer	5/16"x18xt1.5	2	
378	S022	Hex. Head Screw	5/16"x3/4"L	2	
382	182004B	Bracket		1	
385	182043	Vise Jaw Bracket(Rear)		1	
386	182016	Vise Jaw Bracket(Front)		1	
387	182041S	Cap		1	
389	S416	Hex. Socket Head Screw	M8x25L	6	
390	S425	Hex. Socket Head Screw	M10x30L	4	
392	1976015	Meter Indicator		1	
394	182045	Cylinder Lower Support		1	
395	S023	Hex. Head Screw	5/16"x1-1/4"L	3	
396	S013	Hex. Head Screw	5/16"x1-1/4"L	1	
397	N007	Hex. Nut	5/16"	1	
399	182014A	Degree-Meter		1	
403	182024	Fixed Plate		1	
413	182030-2S	Stand Complete Assembly		1	
415	193008S	Stand Complete Assembly		1	

PARTS LIST

MODEL NO. 712DR

CODE NO	PART NO	DESCRIPTION	SPECIFICATION	QTY	NOTE
425	182051	Protective Plate (For Higher Stand Only)		1	
427	182047	Fix Block		2	
433	HS294	Hex. Socket Head Screw	M12x120L	4	
434	HN007	Hex. Nut	M12	4	
435	W209	Spring Washer	M16	1	
437	182060	Swivel Arm Briquette		1	
438	191210A	Knob		1	
439	W204	Spring Washer	3/8"	1	
440	182061	Splash Board		1	
441	S732	Cross Round Head Screw	5/16"x1/2"L	2	
443	193029S	Protractor Locating Bracket Assembly		1	
453	N001	Hex. Nut	1/2"	4	
454	182063	Coaster of Stand	1/2"X120L	4	
468	182065	Extension Base		1	
469	S476	Hex. Socket Head Screw	3/8"x1-1/4"	2	
600	3027	Knob		1	
601	193057	Knob		1	
602	S601	Hex. Socker Headless Screw	1/4"x1/2"L	1	
603	193055	Pressure Lump		1	
604	HW007	Washer	M12x12	1	
605	S013	Hex. Head Screw	3/8"x1-1/4"L	2	
606	W013	Washer	3/8"x20x12	2	
607	HP018	Pin	5X20L	1	
608	193056	Pressure Shaft		1	
609	193059	Knob W/Shaft		1	
610	290086	Plastic Round Knob		1	
611	CA51101	Bearing		1	
612	HW007	Washer	M12x12	1	
613	193058	Spring		1	
614	182037B	Acme Screw		1	
615	181138B	Acme Nut		1	